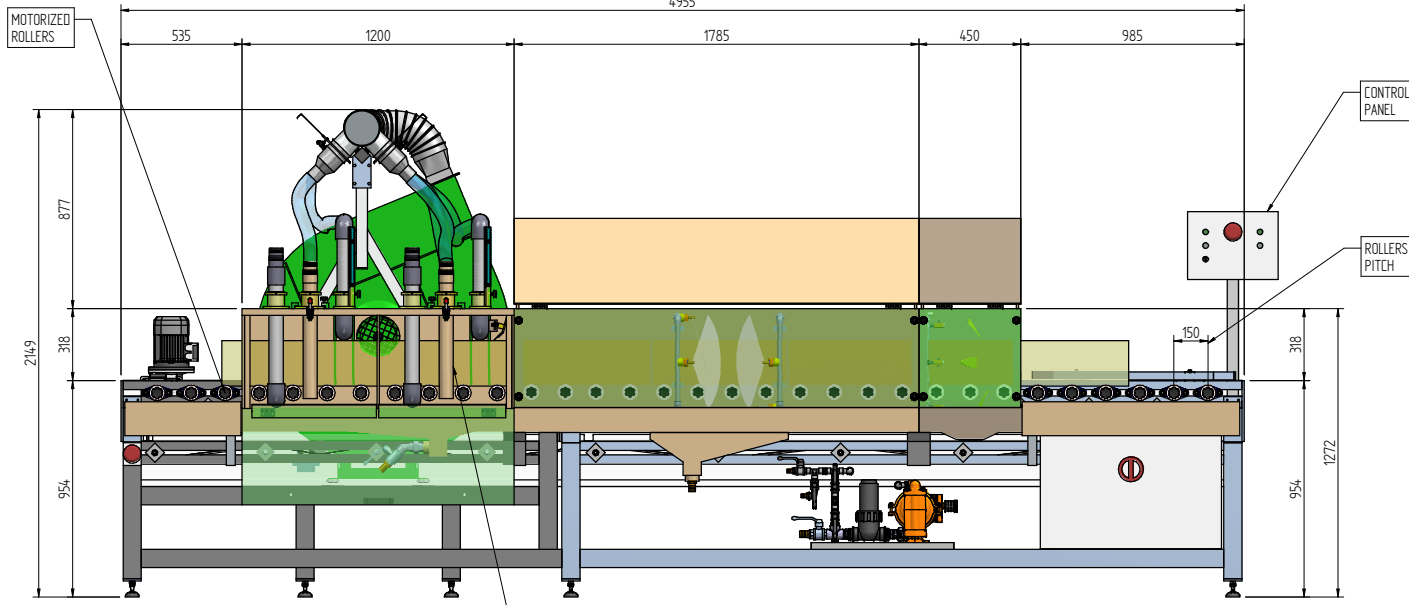
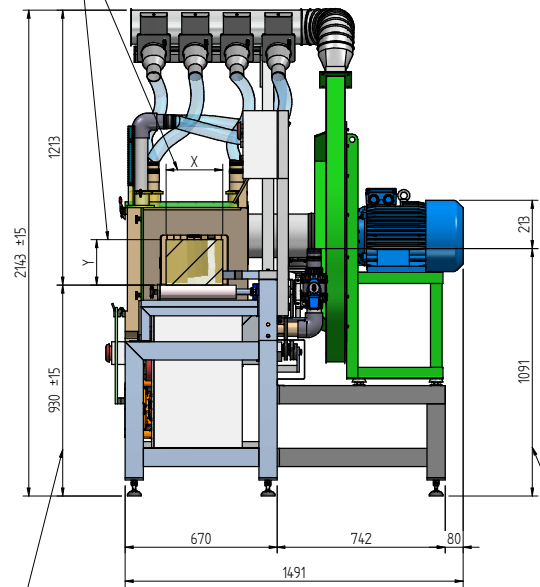


MAXIMUM PIECE DIMENSIONS



← SLIDING SENSE

ROLLERS HEIGHT ADJUSTABLE

POWDER SUCTION HEIGHT

UNLOADING STATION

AIR BLADES FAN

AIR BLADES

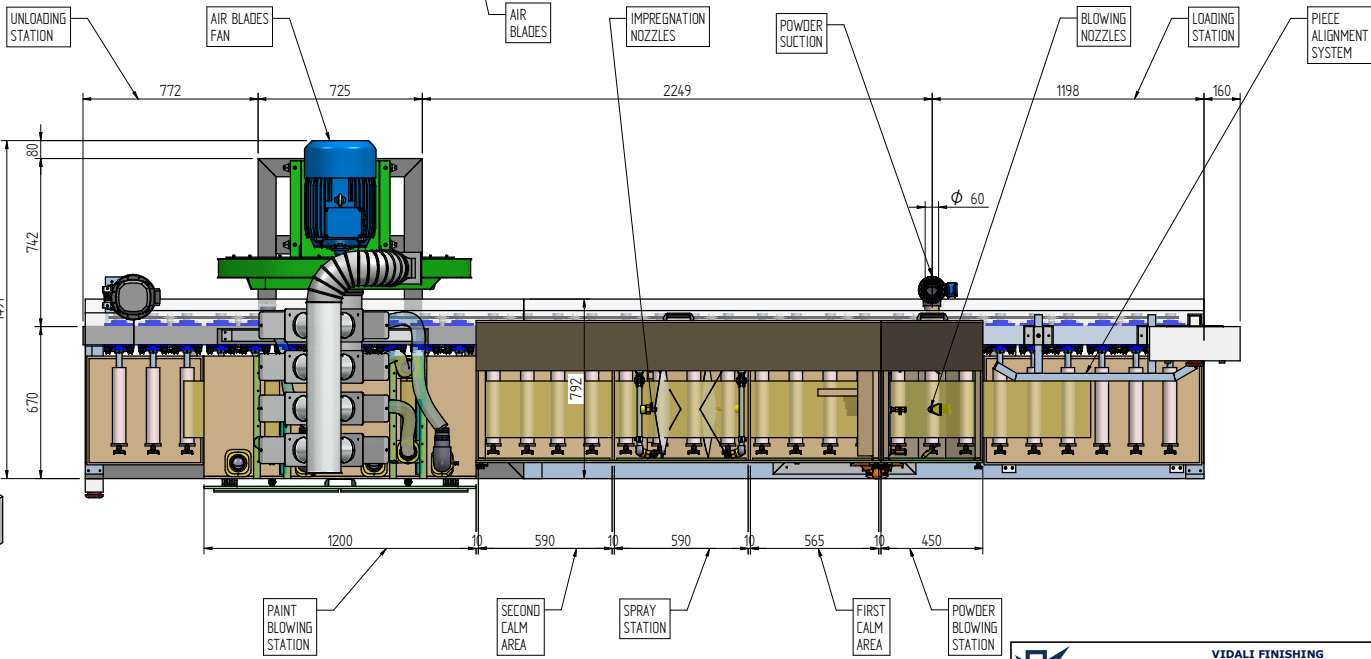
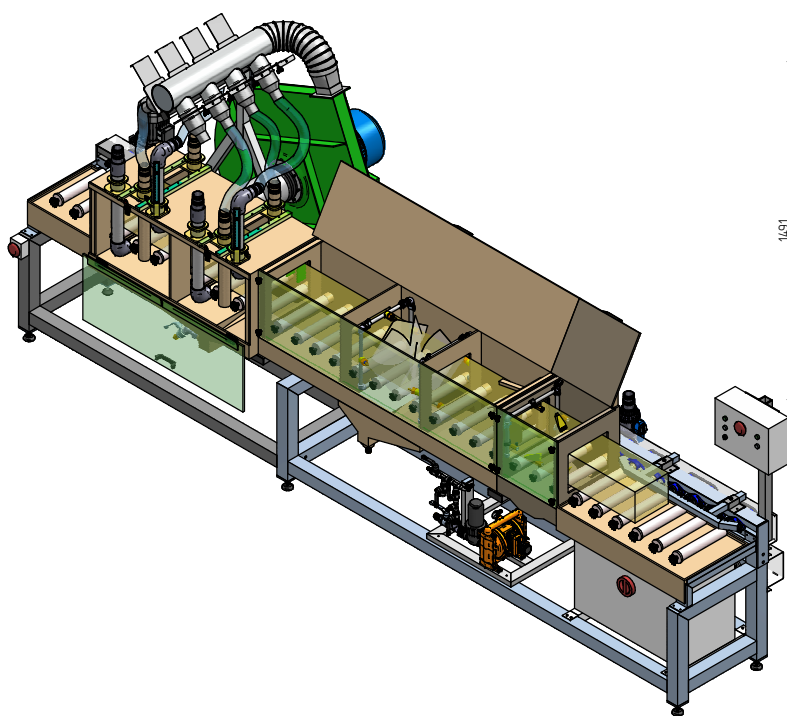
IMPREGNATION NOZZLES

POWDER SUCTION

BLOWING NOZZLES

LOADING STATION

PIECE ALIGNMENT SYSTEM



VIDALI FINISHING
CUSTOMIZED PAINTING PLANTS
www.vidalifinishing.com info@vidalifinishing.com

VIDALI FINISHING
Via Rov. 9 - Zona Ind. Nord
21045 MORTA DEL LIVENZA (TREVISO) - Italia
Tel. (0422)860212 - Fax (0422)861297

CLIENTE	TYPICAL	SCALA/SCALE	
CUSTOMER		INCH/INCH	A2
TITOLO	LINEAR FLOW-COATING MOD. "GUT AIR"	FILE NAME	
TITOLO	CONSTRUCTIVE LAYOUT	DISegnATORE	Ing. T. Rossi
DESIGNO DRAWING	DATA DATE	QUANTITA'	FOGGIO/DATE
	08/04/2020	-	1/1

1/1